

Rexxam

Quality in vision care

SL-203/102

LED Slit Lamp



Proudly  Made in Japan

About Us

Rex + Max = Rexxam

Rexxam, which means 'the king of the kings', is a respected and reliable brand.

Rexxam is a Japanese company with a celebrated 60 year history. With over 3,000 employees worldwide, Rexxam manufacture a wide range of products for various industries; from factory automation, automobiles and air conditioning systems, to beer and ski boots.

Since 1986, Rexxam has manufactured various high quality products for leading brands in the eye care industry, including SHIN-NIPPON. Rexxam had developed and manufactured products for SHIN-NIPPON since 1993 and in 2014 the company took over the SHIN-NIPPON brand.

We will be bringing high quality ophthalmic equipment to a global market. By combining precision engineering with industry leading innovation and experience in mass production, Rexxam produce unique products to support eye care specialists across the world.

Quality in vision care, we are Rexxam.



1960
Foundation of Rexxam

1986
Rexxam started the development and manufacturing of ophthalmic devices as an OEM supplier

1993
Rexxam became the main OEM partner for SHIN-NIPPON
SHIN-NIPPON

2014
Rexxam acquired the SHIN-NIPPON brand
SHIN-NIPPON by **Rexxam**

2018
The manufacturer brand Rexxam was inaugurated
Rexxam

Rexxam
Quality in vision care

Proudly  Made in Japan

SL-203 and SL-102

Rexxam SL-203 and SL-102 slit lamps with LED illumination with high quality optics. that gives clear and sharp binocular viewing. Its versatile and ergonomic design enable the user to operate the Slit Lamp effortlessly.

- LED illumination
- Ergonomic
- 15mm Slit width



SL-203

Reliability for every day work

Slit Lamp microscope is one of the essential devices used by every eye care specialist and practitioner in their daily practices.

Rexxam LED Slit Lamp SL-203 - Galilean telescope system with 5x rotating drum magnification (6.4x/10x/16x/25x/40x) coupled with parallel-optics binocular unit with 15x wide-field dioptic adjustable ($\pm 7D$) eyepieces.

The superb optical quality coupled with robust mechanical design makes the SL-203 a reliable product that will last for years.

Wide variety of filters

- Cobalt blue
- 50% Neutral density
- Heat absorption
- Green (Red free)
- UV cut (regular use)

SL-203



SL-102

Redefinition of basic

Rexxam LED Slit Lamp SL-102 is of the Greenough type with a converging optic system of 13,5° providing excellent stereoscopic observation, a magnification of 10x and 16x using the 10x eye-piece, or a magnification of 16x and 25,6x using the 16x eye-piece. Both 10x and 16x wide-field eye-pieces are standard accessories of the SL-102 and both comes with 8 diopter adjustment possibility.



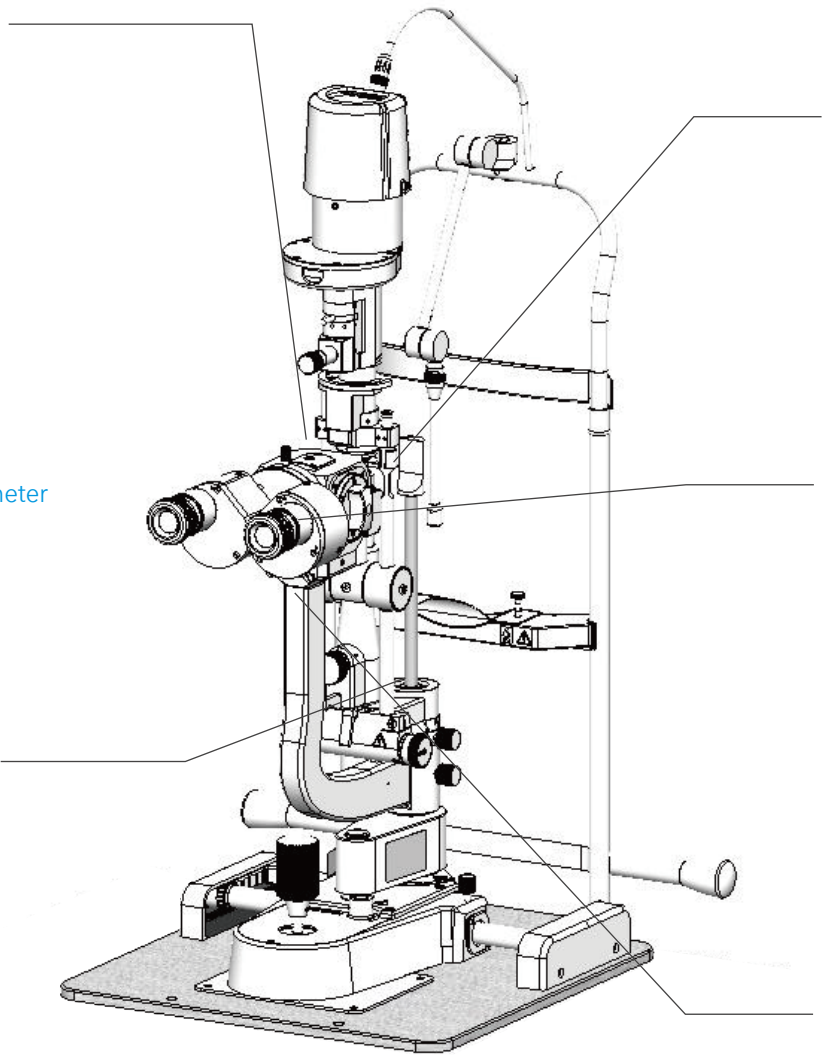
- Fixation target
- patient grip
- LED
- 10x eyepiece standard
- 16x eyepiece standard

SL-102

Applanation Tonometer
Arm Type
SL-TM



Applanation Tonometer
Table Type
SL-TM



Diffuser



15x Measuring Eyepiece*



Breath shield



*only for SL-203

		SL-203	SL-102	
Microscope	Type	Galileo type	Greenough-type	
		5 step drum rotation	2-position lever	
	Conversion	Parallel	13.5°	
	Eyepieces	15x	10x, 16x	
	Magnifications (Field of View)	6.4 x (37 mm) 10 x (23 mm) 16 x (14.6 mm) 25 x (9.5 mm) 40 x (5.9 mm)	with 10x Eyepieces 10 x (16.4 mm) 16 x (11.2 mm)	with 16x Eyepieces 16 x (11.2 mm) 25.6 x (10.2 mm)
		Diopter Adjustment Range	±7D	±8D
	Pupillary Distance	50 ~ 80mm	55 ~ 80mm	
Illumination System	Light Source	LED		
	Slit Width	0 ~ 15 mm continuous		
	Slit Length	0.5 ~ 15 mm continuous		
	Slit Aperture Deameter	Φ0.2, Φ1, Φ3, Φ5, Φ8, Φ15mm		
	Slit Tilt	5, 10, 15, 20°		
	Filters	Selectable	Cobalt Blue, Heat absorption, Green(Red free), 50%ND	
Regular Use		UV cut		
Movement Range	Up - Down	29 mm		
	Right - Left	100 mm		
	Forward - Backward	100 mm		
	Fine Movement	Φ20 mm (by Joystick)		
	Chin-rest Up - Down	80 mm		
Power	Power Voltage	AC 100 ~ 240 V , 50/60Hz		
	Power Consumption	24 ~ 30 VA		
Size	Weight	16.5 kg	16.0 kg	
	Dimensions	305mm(W) 400mm(D) 700mm(H)		

Standard Accessories

- Dust Cover
- Chin-rest Paper
- Test Bar
- Base Plate
- Eye piece : SL-203 15x
SL-102 10x , 16x

Design and specifications are subject to change without notice.

Manufacturer

OHIRA

Ohira Co.,Ltd.

629-961 Niiborishinden,
Minamiuonuma-shi, Niigata-ken,
949-7135 Japan

Contact

Rexxam
Quality in vision care

Rexxam Co.,Ltd.

Eye-care Instruments Sales Dept. Tokyo Office
2-4-2 Kandatsukasa-machi, Chiyoda-ku, Tokyo,
101-0048 Japan
TEL:+81-3-6262-9471 FAX:+81-3-6262-9472
E-mail:eye@rexexam.co.jp
Website:https://www.rexexam.co.jp

Proudly  Made in Japan

Distributed by

Rexxam



 / Rexxam



LinkedIn

